

LEGAL DESCRIPTION:

CLASS:

30-91-37 R RESIDENTIAL  
ALTA WASH LC AREA SSD  
AUD S/D SW FR 1/4  
W 1/2 LOT 28-B

| ----- |         | CSR'S       | .00 | ----- |             |
|-------|---------|-------------|-----|-------|-------------|
|       |         |             |     | CODE  | VALUE ACRES |
| GROSS | CURRENT |             |     |       |             |
| ROADS | LAND    | 16,810      |     |       |             |
| D.D.  | BLDG    |             |     |       |             |
| R.R.  | DWLG    | 190,050( 1) |     |       |             |
| MISC  |         |             |     |       |             |
|       | TOTAL   | 206,860     |     |       |             |
| NET   |         |             |     |       |             |

| ===== |        | =====       | ===== | ===== |  |
|-------|--------|-------------|-------|-------|--|
|       | YEAR   | 2010        |       |       |  |
|       | LAND   | 16,810      |       |       |  |
|       | BLDG   |             |       |       |  |
|       | DWLG   | 190,050( 1) |       |       |  |
|       | TOTAL  | 206,860     |       |       |  |
|       | NET TX |             |       |       |  |

| DEED HOLDER:   | DATE REFER | CONTRACT HOLDER: | DATE REFER | YEAR   | 2009        |  |
|----------------|------------|------------------|------------|--------|-------------|--|
| GORDE DENIS A  | 05052010 6 |                  |            | LAND   | 16,810      |  |
| GORDE GLORIA J |            |                  |            | BLDG   |             |  |
| 28A FAIRWAY DR |            |                  |            | DWLG   | 190,050( 1) |  |
| ALTA IA 51002  |            |                  |            | TOTAL  | 206,860     |  |
|                |            |                  |            | NET TX |             |  |

| -----                          |            |  |  | YEAR   | 2008        |  |
|--------------------------------|------------|--|--|--------|-------------|--|
| FITZPATRICK THOMAS H REV TRUST | 11072000 5 |  |  | LAND   | 18,430      |  |
| FITZPATRICK FAMILY TRUST       |            |  |  | BLDG   |             |  |
| 28A FAIRWAY DR                 |            |  |  | DWLG   | 154,900( 1) |  |
| ALTA IA 51002                  |            |  |  | TOTAL  | 173,330     |  |
|                                |            |  |  | NET TX |             |  |

| -----                         |            |  |  | YEAR   | 2007        |  |
|-------------------------------|------------|--|--|--------|-------------|--|
| FITZPATRICK THOMAS H          | 09141999 4 |  |  | LAND   | 18,430      |  |
| FITZPATRICK NAOMI W REV TRUST |            |  |  | BLDG   |             |  |
| 28A FAIRWAY DR                |            |  |  | DWLG   | 154,900( 1) |  |
| ALTA IA                       |            |  |  | TOTAL  | 173,330     |  |
|                               |            |  |  | NET TX |             |  |

| -----                |   |  |  | YEAR   | 2007        |  |
|----------------------|---|--|--|--------|-------------|--|
| FITZPATRICK THOMAS H | 3 |  |  | LAND   | 15,620      |  |
| FITZPATRICK NAOMI    |   |  |  | BLDG   |             |  |
| 28A FAIRWAY DR       |   |  |  | DWLG   | 131,270( 1) |  |
| ALTA IA              |   |  |  | TOTAL  | 146,890     |  |
|                      |   |  |  | NET TX |             |  |

| -----                                   |  |  |  | YEAR   | 2006        |  |
|---|--|--|--|--------|-------------|--|
| REMARKS:                                |  |  |  | LAND   | 15,620      |  |
|   |  |  |  | BLDG   |             |  |
| 3 W.D. 60/445 09-09-94 \$122,500 (D026) |  |  |  | DWLG   | 131,270( 1) |  |
| 4 Q.C.D. #992765 08-12-99               |  |  |  | TOTAL  | 146,890     |  |
| 5 W.D. #002876 10-12-00                 |  |  |  | NET TX |             |  |
| 6 WD #100684-85 03-26-10 \$186,666.66   |  |  |  |        |             |  |

| ----- |  | YEAR   | 2006        |  |
|-------|--|--------|-------------|--|
|       |  | LAND   | 15,620      |  |
|       |  | BLDG   |             |  |
|       |  | DWLG   | 131,270( 1) |  |
|       |  | TOTAL  | 146,890     |  |
|       |  | NET TX |             |  |

28A FAIRWAY DR, ALTA

Deed: **GORDE DENIS A,GORDE GLORIA J**

Map Area: **WASH-RES(LAKE CREEK)**

Checks/Tags:

Contract:

Route: **910-003-140**

Lister/Date: **LF, 08/06/2008**

CID#: **0980325**

Tax Dist: **ALTA WASH LC AREA SSD**

Review/Date: **DS, 12/09/2008**

DBA:

Plat Page:

Entry Status: **Inspected**

MLS: **14533**

Subdiv: **[NONE]**

**RURAL/RESIDENTIAL**

Legal: 30-91-37 ALTA WASH LC AREA SSD AUD S/D SW FR 1/4 W 1/2 LOT 28-B

**Land**

| Land Basis         | Front | Rear  | Side 1 | Side 2 | R. Lot | SF       | Acres |  |  |  |  |  |  |  |  |
|--------------------|-------|-------|--------|--------|--------|----------|-------|--|--|--|--|--|--|--|--|
| <b>FF Main</b>     | 49.50 | 49.50 | 120.00 | 120.00 | 0.00   |          |       |  |  |  |  |  |  |  |  |
| Sub Total          |       |       |        |        |        | 5,940.00 | 0.136 |  |  |  |  |  |  |  |  |
| <b>Grand Total</b> |       |       |        |        |        | 5,940.00 | 0.136 |  |  |  |  |  |  |  |  |

**Sales**

**Building Permits**

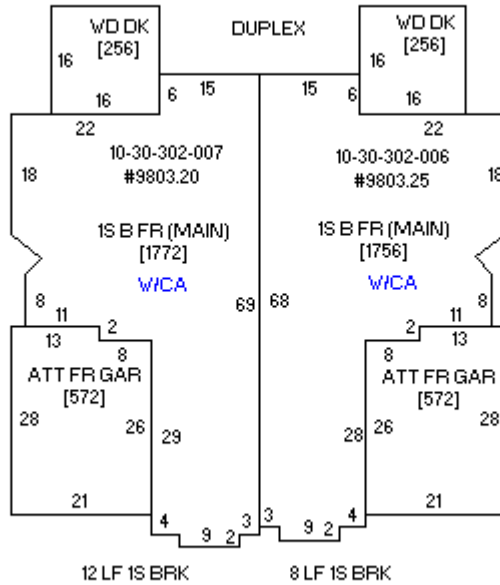
**Values**

| Date       | \$ Amount | NUTC | Recording | Date | Number | Tag | \$ Amount | Reason |  |  |  |  |  |  |
|------------|-----------|------|-----------|------|--------|-----|-----------|--------|--|--|--|--|--|--|
| 03/26/2010 | \$186,667 | D8.1 | 100684    |      |        |     |           |        |  |  |  |  |  |  |
| 09/09/1994 | \$122,500 | D26  | 060-445   |      |        |     |           |        |  |  |  |  |  |  |

| Res. Structure |                                   | 1 of 1                  |                  | Finish               |   |                      |   | Plumbing       |              |                |         | Addition |  | Garage |  |
|----------------|-----------------------------------|-------------------------|------------------|----------------------|---|----------------------|---|----------------|--------------|----------------|---------|----------|--|--------|--|
| Occ. Code      | 101                               | Ttl Rooms Above #       | 5                | Bedrooms Above #     | 2 | Full Bath            | 1 | Addition       | No Additions | Garage         | 1 of 1  |          |  |        |  |
| Occ. Descr.    | Single-Family /<br>Owner Occupied | Ttl Rooms Below #       | 2                | Bedrooms Below #     | 1 | Shower Stall Bath    | 1 | Year Built     |              | Style          | Att Frm |          |  |        |  |
| Year Built     | 1993                              | Bsmt Fin Area #1        | 775              | Table                |   | Toilet Room          |   | EFA            |              | W X L          | 0' X 0' |          |  |        |  |
| EFA / EFYr     | 16 / 1993                         | Bsmt Fin Area #2        |                  |                      |   | Lavatory             | 1 | EFA Year       |              | Area (SF)      | 572     |          |  |        |  |
| Arch. Dsgn     | N/A                               | Bsmt Fin Area #3        |                  |                      |   | Water Closet         |   | Style          |              | Year Built     | 1993    |          |  |        |  |
| Style          | 1 Story Frame                     | Foundation              | Wd               |                      |   | Sink                 |   | Area (SF)      |              | EFA            | 16      |          |  |        |  |
| AreaSF/TLA     | 1,756 / 1,756                     | Exterior Walls          | Vinyl            |                      |   | Shower Stall/Tub     |   | Condition      |              | EFF Year       | 1993    |          |  |        |  |
| Condition      | NML                               | Roof                    | Asph / Hip       |                      |   | Mtl St Sh Bath       |   |                |              | Condition      | NML     |          |  |        |  |
| Basement       | 1/2                               | Interior Finish         | Drwl             |                      |   | Mtl Stall Shower     |   | Bsmt (SF)      |              | Bsmt (SF)      |         |          |  |        |  |
| No Bsmt Flr.   | 0                                 | Flooring                | Carp / Ceramic   |                      |   | No Bathroom          |   | NoBsmt Flr(SF) |              | Qtrs Over      | None    |          |  |        |  |
| Heat           | FHA - Gas                         | <b>Non-base Heating</b> |                  | <b>Fireplace</b>     |   | Wet Bar              |   | Heat           |              | Qtrs Over (SF) |         |          |  |        |  |
| AC             | Yes                               | Floor/Wall #            | 0                | Gas/Elec-Side, 1 Sty | 1 | Whirlpool Bathroom   |   | AC             |              | Qtrs ACS (SF)  |         |          |  |        |  |
| Attic          | None                              | Pipeless #              | 0                |                      |   | Whirlpool Tub        |   | Attic (SF)     |              | Door Opnrs     |         |          |  |        |  |
|                |                                   | Hand Fired (Y/N)        | No               |                      |   | No Hot Water Tank    |   |                |              | Bsmt Stalls    |         |          |  |        |  |
|                |                                   | Space Heat #            | 0                |                      |   | No Plumbing          |   |                |              |                |         |          |  |        |  |
|                |                                   | <b>Appliances</b>       |                  |                      |   | Sewer & Water Only   |   |                |              |                |         |          |  |        |  |
|                |                                   | Range Unit              | Built-In Vacuums |                      |   | Water Only w/Sink    |   |                |              |                |         |          |  |        |  |
|                |                                   | Oven - Single           | Intercom System  |                      |   | Hot Tub              |   |                |              |                |         |          |  |        |  |
|                |                                   | Oven - Double           | Bl Stereo        |                      |   | Bidet                |   |                |              |                |         |          |  |        |  |
|                |                                   | Dishwasher              |                  |                      |   | FbglS Service Sink   |   |                |              |                |         |          |  |        |  |
|                |                                   | Microwave               |                  |                      |   | Urinal               |   |                |              |                |         |          |  |        |  |
|                |                                   | Trash Compactor         |                  |                      |   | Sauna                |   |                |              |                |         |          |  |        |  |
|                |                                   | Jennair                 |                  |                      |   | W'Pool Bath w/Shower |   |                |              |                |         |          |  |        |  |
|                |                                   | Security System         |                  |                      |   | Water Only           |   |                |              |                |         |          |  |        |  |
|                |                                   |                         |                  |                      |   | No Tub/Shower        |   |                |              |                |         |          |  |        |  |



| Bldg / Addn | Description                           | Units   | Year |
|-------------|---------------------------------------|---------|------|
| 1 of 1      | 101 — Single-Family / Owner Occupied  |         |      |
|             | 1 Story Frame                         | 1,756   |      |
|             | Adjustment for basement - 1/2         |         |      |
| #1          | Bsmt Fin - Living Qtrs. (Multi) (Avg) | 775 Tbl |      |
|             | Base Heat: FHA - Gas                  |         |      |
|             | Add Central Air                       | 1,756   |      |
|             | Deck #1: Wood Deck-Med                | 256 SF  |      |
|             | Veneer #1 1 Story Brick               | 8.0 LF  |      |
|             | Plumbing                              | 3       |      |
| #1          | Fireplace: Gas/Elec-Side, 1 Story     | 1       |      |
|             | Garage: Att Frame                     | 572 SF  | 1993 |





08/18/2008



05/01/1998