

717 HWY 7, ALTA

Deed: **THAO YEE LENG**

Map Area: **WASH-RES(LAKE CREEK)**

Checks/Tags:

Contract:

Route: **910-003-600**

Lister/Date: **LF, 08/11/2008**

CID#: **0981200**

Tax Dist: **ALTA WASH LC AREA SSD**

Review/Date: **DS, 12/09/2008**

DBA:

Plat Page: -

Entry Status: **Estimated**

MLS: **15887**

Subdiv: **[NONE]**

RURAL/RESIDENTIAL

Legal: 30-91-37 ALTA WASH LC AREA SSD AUD S/D SW FR 1/4 EAST PT OF LOT 35

Land

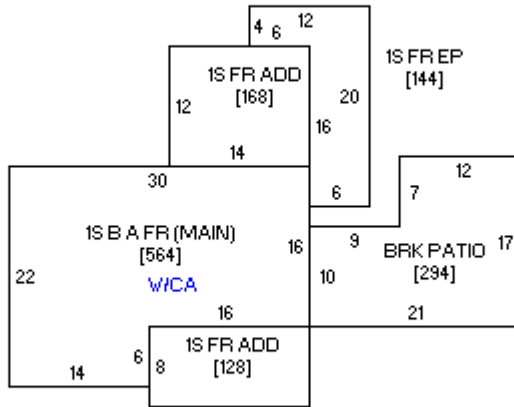
Land Basis	Front	Rear	Side 1	Side 2	R. Lot	SF	Acres								
FF Main	205.00	205.00	190.00	190.00	0.00										
Sub Total						38,950.00	0.894								
Grand Total						38,950.00	0.894								

Sales				Building Permits				Values					
Date	\$ Amount	NUTC	Recording	Date	Number	Tag	\$ Amount	Reason					
05/15/2012	\$85,000	D0	122285										
11/08/2004	\$82,000	D0	#044104										

Res. Structure 1 of 1		Finish				Plumbing		Addition		Garage	
Occ. Code	101	Ttl Rooms Above #	7	Bedrooms Above #	4	Full Bath	2	Addition	1 of 2	Garage	1 of 1
Occ. Descr.	Single-Family / Owner Occupied	Ttl Rooms Below #	0	Bedrooms Below #	0	Shower Stall Bath		Year Built	1906	Style	Det Frm
Year Built	1906	Bsmt Fin Area #1				Toilet Room		EFA	103	W X L	24' X 48'
EFA / EFYr	103 / 1906	Bsmt Fin Area #2				Lavatory		EFA Year	1906	Area (SF)	1,152
Arch. Dsgn	N/A	Bsmt Fin Area #3				Water Closet		Style	1 Sty Frm	Year Built	1954
Style	1 1/2 Story Frame	Foundation	C Blk / Strn			Sink		Area (SF)	128	EFA	55
AreaSF	564 /	Exterior Walls	Stl			Shower Stall/Tub		Condition	Above Normal	EFF Year	1954
Condition	A NML	Roof	Asph / Gable			Mtl St Sh Bath		Bsmt (SF)		Condition	A NML
Basement	Full	Interior Finish	Plas			Mtl Stall Shower		NoBsmt Flr(SF)		Bsmt (SF)	
No Bsmt Flr.	0	Flooring	Carp / Vinyl / Hdwd			No Bathroom		Heat	FHA - Gas	Qtrs Over	None
Heat	FHA - Gas	Non-base Heating		Fireplace		Wet Bar		AC	Yes	Qtrs Over (SF)	
AC	Yes	Floor/Wall #	0			Whirlpool Bathroom		Attic (SF)		Qtrs AC (SF)	
Attic	None	Pipeless #	0			Whirlpool Tub		See other pages for more additions.			
		Hand Fired (Y/N)	No			No Hot Water Tank				Door Opnrs	
		Space Heat #	0			No Plumbing				Bsmt Stalls	
		Appliances				Sewer & Water Only					
		Range Unit		Built-In Vacuums		Water Only w/Sink					
		Oven - Single		Intercom System		Hot Tub					
		Oven - Double		Bl Stereo		Bidet					
		Dishwasher				FbglS Service Sink					
		Microwave				Urinal					
		Trash Compactor				Sauna					
		Jennair				W'Pool Bath w/Shower					
		Security System				Water Only					
						No Tub/Shower					



Bldg / Addn	Description	Units	Year					
1 of 1	101 — Single-Family / Owner Occupied							
	1 1/2 Story Frame	564						
	Base Heat: FHA - Gas							
	Add Central Air	564						
#1	Porch: 1S Frame Enclosed	144 SF						
	Deck #1: Brick/Blk Patio-Low	294 SF						
	Plumbing	2						
1 of 2	Adtn 1 Story Frame	128 SF	1906					
2 of 2	Adtn 1 Story Frame	168 SF	1906					
	Garage: Det Frame 24' X 48'	1,152 SF	1954					





08/18/2008



05/01/1998



05/14/2004