

LEGAL DESCRIPTION:

CLASS:

-----		CSR'S	.00	-----	
				CODE	VALUE ACRES
GROSS	CURRENT				
ROADS	LAND	37,610			
D.D.	BLDG				
R.R.	DWLG	238,990( 1)			
MISC					
	TOTAL	276,600			
NET					

30-91-37 R RESIDENTIAL  
 ALTA WASH LC AREA SSD  
 AUD S/D SW FR 1/4  
 LOT 28-C (EX S 4')

=====		=====	=====	=====	
	YEAR	2015			
	LAND	37,610			
	BLDG				
	DWLG	238,990( 1)			
	TOTAL	276,600			
	NET TX				

-----		DEED HOLDER:	DATE REFER	CONTRACT HOLDER:	DATE REFER	YEAR	2014	-----	
						LAND	36,160		
		HARRER SETH WILLIAM	04162015 1			BLDG			
		HARRER DEANNA SUE				DWLG	229,800( 1)		
		30 FAIRWAY DR				TOTAL	265,960		
		ALTA IA 51002				NET TX			

-----		HALL TOM SCOTT	02212013 6	-----		YEAR	2013	-----	
						LAND	36,160		
		HALL LYNN MARIE				BLDG			
		30 FAIRWAY DR				DWLG	229,800( 1)		
		ALTA IA 51002				TOTAL	265,960		

		TODD MICHAEL H	06152000 3			NET TX			
--	--	----------------	------------	--	--	--------	--	--	--

-----		TODD PATRICIA H	-----		YEAR	2012	-----		
						LAND	36,160		
		1 ST ANDREWS DR				BLDG			
		STORM LAKE IA 50588				DWLG	229,800( 1)		

-----		PAGE CHARLES KIRK	2	-----		YEAR	2011	-----	
						LAND	36,160		
		COLVIN LISA J				BLDG			
		30 FAIRWAY DR				DWLG	229,800( 1)		
		ALTA IA				TOTAL	265,960		

-----		REMARKS:	-----		YEAR	2011	-----		
						LAND	36,160		
		1 W.D. #150572 12-26-14 \$243,000				BLDG			
		2 W.D. 59/945 01-25-94 \$19,000 (D034)				DWLG	229,800( 1)		
		3 WD #001367 05-12-00 \$180,000 (D000)				TOTAL	265,960		
		6 W.D. #130302 01-29-13 \$220,000				NET TX			

-----		YEAR	2010	-----	
		LAND	36,160		
		BLDG			
		DWLG	229,800( 1)		
		TOTAL	265,960		
		NET TX			

**Parcel Summary**

**Buena Vista County Assessor**

**PDF 11 WORKING**

PIN **10-30-302-001** Comp ID **0980330**  
 Deed **HARRER SETH WILLIAM,HARRER DEANNA SUE** Section **30** Deeded Acres **0.000**  
 Contract Township **91** Lot  
 Address **30 FAIRWAY DR, ALTA** Range **37** Block  
 Map Area **WASH-RES(LAKE CREEK)** Loc. / Class **RURAL / RESIDENTIAL**  
 Route Number **910-003-150** Plat Map  
 Legal **30-91-37 ALTA WASH LC AREA SSD AUD S/D SW FR 1/4 LOT 28-C (EX S 4')**

Land Basis	Front	Rear	Side 1	Side 2	R. Lot	SF	Acres
FF Main	40.00	111.20	150.00	150.00	0.00		
Sub Lot 2	0.00	150.00	120.00	120.00	0.00		
Sub Total						20,340.00	0.467
Grand Total						20,340.00	0.467



Ph 1 of 2 08/18/2008

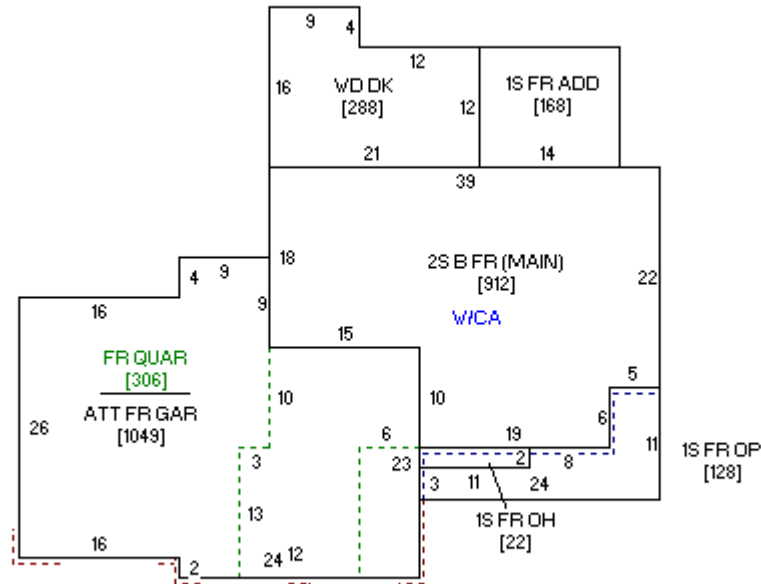
**Residential Dwelling**

Occupancy **Single-Family / Owner Occupied**  
 Year Built **1996**  
 TLA/GLA **2,320 / 1,102 / 1,218** Ttl Rms **9**  
 Bsmt/Attic **Full / None**  
 Heat/AC **FHA - Gas / Yes AC**  
 Bsmt Finish **300/ 100/ 0**  
 Ttl Bdrms **4** **4**  
 Ttl Fireplaces **1**

**Plumbing** **Garage**

Full Bath **1** Att Frame **1,049 SF**  
 Shower Stall Bath **2**  
 Toilet Room **1**

Sale Amount	Sale Date	Recording
\$243,000	12/26/2014	150572
\$220,000	01/29/2013	130302
\$180,000	05/12/2000	#001367
\$19,000	01/25/1994	059-945



25 LF 1/2S BRK  
 35 LF 1S BRK