

Pin: 03-07-201-004  
Sale Date: 10/23/18  
Sale Price: \$65,500  
Net Acres: .565  
Classification: Rural Residential

03-07-201-004

R-Res

#9021.00

1007 Blake



NOV 13 2001



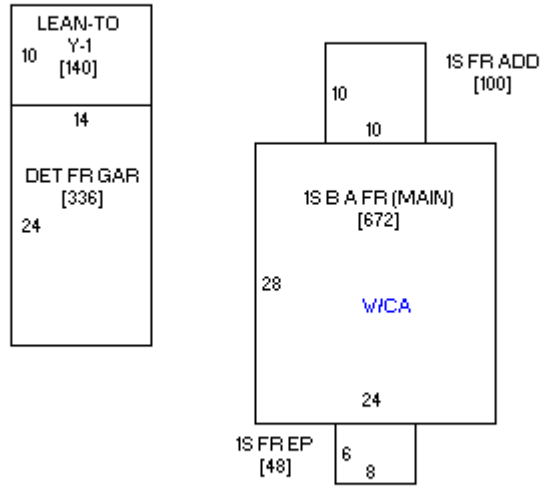
Res. Structure		Finish				Plumbing		Addition		Garage	
Occ. Code	101	Ttl Rooms Above #	5	Bedrooms Above #	2	Full Bath	1	Addition	1 of 1	Garage	1 of 1
Occ. Descr.	Single-Family / Owner Occupied	Ttl Rooms Below #	0	Bedrooms Below #	0	Shower Stall Bath		Year Built	1910	Style	Det Fr.
Year Built	1910					Toilet Room		EFA	109	W X L	0' X 0'
EFA / EFYr	109 / 1910					Lavatory		EFA Year	1910	Area (SF)	336
Arch. Dsgn	N/A	Foundation	Brk			Water Closet		Style	1 Sty Fr.	Year Built	1910
Style	1 Story Frame	Exterior Walls	Stl			Sink		Area (SF)	100	EFA	109
AreaSF/TLA	672 / 1,007	Roof	Asph / Gable			Shower Stall/Tub		Condition	Normal	EFF Year	1910
GLA 1st/2nd	772 / 235	Interior Finish	Plas			Mtl St Sh Bath		Bsmt (SF)		Condition	NML
		Flooring	Carp / Vinyl			Mtl Stall Shower		NoBsmt Flr(SF)		Bsmt (SF)	
		<b>Non-base Heating</b>		<b>Fireplace</b>		No Bathroom		Heat	FHA - Gas	Qtrs Over	None
		Floor/Wall #	0			Wet Bar		AC	Yes	Qtrs Over (SF)	
		Pipeless #	0			Whirlpool Bathroom		Attic (SF)		Qtrs AC (SF)	
		Hand Fired (Y/N)	No			Whirlpool Tub				Door Opnrs	
Condition	NML	Space Heat #	0			No Hot Water Tank				Stalls- Bsmt / Std	
		<b>Appliances</b>				No Plumbing					
		Range Unit		Built-In Vacuums		Sewer & Water Only					
Basement	Full	Oven - Single		Intercom System		Water Only w/Sink					
No Bsmt Flr.	0	Oven - Double		Bl Stereo		Hot Tub					
Heat	FHA - Gas	Dishwasher				Bidet					
AC	Yes	Microwave				FbglS Service Sink					
Attic	1/2 Finished 235SF	Trash Compactor				Urinal					
		Jennair				Sauna					
		Security System				W'Pool Bath w/Shower					
						Water Only					
						No Tub/Shower					



Bldg / Addn	Description	Units	Year				
	101 — Single-Family / Owner Occupied						
	1 Story Frame	672					
	Base Heat: FHA - Gas						
	Add Central Air	672					
	Add 1/2 Finished attic	235					
#1	Porch: 1S Frame Enclosed	48 SF					
Adtn	1 Story Frame	100 SF	1910				
	Garage: Det Frame 0' X 0'	336 SF	1910				

	Count	Ag Building Description	Units		Year							
P:2	1	MTL POLE; Pole Frame; Enameled 925-Steel Utility Bldg	30' X 50'	1,500 SF		1989						

Description		Units	Cond	Year
Yrd	1 — LEAN-TO		NML	1989
D	W10 x L14 140 SF			



Sketch 1 of 1

