

Pin: 16-06-200-006  
Sale Date: 08/29/18  
Sale Price: \$100,000  
Acres: 2.45 Net  
Classification: Rural Residential

16-06-200-006

#7224.50

R-Res



Photo 1 of 3



12-18-14 - MKB  
**17**

**09**

**13**

**18**

**14**

MKB 12/21/15 -  
NEW MTL  
ROOF ON #3

16-06-200-005  
#7224.10

**14**

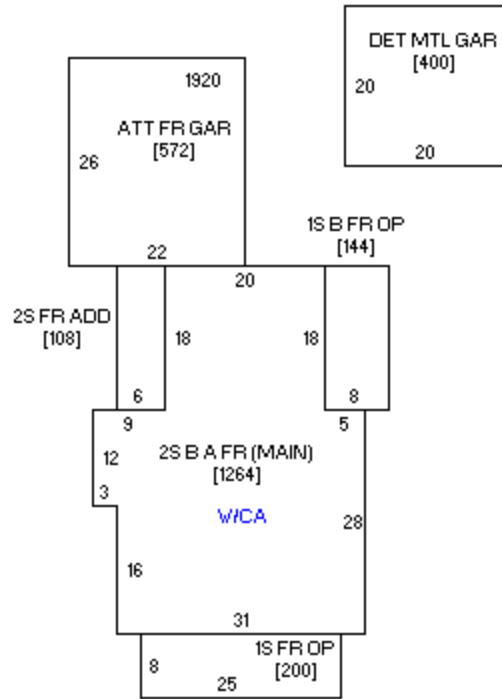


| Res. Structure |                                   | Finish                  |                  |                  |   | Plumbing             |   | Addition       |           | Garage             |         |
|----------------|-----------------------------------|-------------------------|------------------|------------------|---|----------------------|---|----------------|-----------|--------------------|---------|
| Occ. Code      | 101                               | Ttl Rooms Above #       | 8                | Bedrooms Above # | 4 | Full Bath            | 1 | Addition       | 1 of 1    | Garage             | 1 of 1  |
| Occ. Descr.    | Single-Family /<br>Owner Occupied | Ttl Rooms Below #       | 0                | Bedrooms Below # | 0 | Shower Stall Bath    |   | Year Built     | 1914      | Style              | Att Frm |
| Year Built     | 1914                              |                         |                  |                  |   | Toilet Room          | 1 | EFA            | 105       | W X L              | 0' X 0' |
| EFA / EFYr     | 105 / 1914                        |                         |                  |                  |   | Lavatory             |   | EFA Year       | 1914      | Area (SF)          | 572     |
| Arch. Dsgn     | N/A                               | Foundation              | C Blk            |                  |   | Water Closet         |   | Style          | 2 Sty Frm | Year Built         | 1920    |
| Style          | 2 Story Frame                     | Exterior Walls          | Stl              |                  |   | Sink                 |   | Area (SF)      | 108       | EFA                | 99      |
| AreaSF/TLA     | 1,264 / 2,744                     | Roof                    | Asph / Hip       |                  |   | Shower Stall/Tub     |   | Condition      | Normal    | EFF Year           | 1920    |
| GLA 1st/2nd    | 1,372 / 1,372                     | Interior Finish         | Plas / Drwl      |                  |   | Mtl St Sh Bath       |   | Bsmt (SF)      |           | Condition          | A NML   |
|                |                                   | Flooring                | Carp / Vinyl     |                  |   | Mtl Stall Shower     |   | NoBsmt Flr(SF) |           | Bsmt (SF)          |         |
|                |                                   | <b>Non-base Heating</b> |                  | <b>Fireplace</b> |   | No Bathroom          |   | Heat           | FHA - Gas | Qtrs Over          | None    |
|                |                                   | Floor/Wall #            | 0                |                  |   | Wet Bar              |   | AC             | Yes       | Qtrs Over (SF)     |         |
|                |                                   | Pipeless #              | 0                |                  |   | Whirlpool Bathroom   |   | Attic (SF)     |           | Qtrs AC (SF)       |         |
|                |                                   | Hand Fired (Y/N)        | No               |                  |   | Whirlpool Tub        |   |                |           | Door Opnrs         | 2       |
| Condition      | NML                               | Space Heat #            | 0                |                  |   | No Hot Water Tank    |   |                |           | Stalls- Bsmt / Std |         |
|                |                                   | <b>Appliances</b>       |                  |                  |   | No Plumbing          |   |                |           |                    |         |
| Basement       | Full                              | Range Unit              | Built-In Vacuums |                  |   | Sewer & Water Only   |   |                |           |                    |         |
| No Bsmt Flr.   | 0                                 | Oven - Single           | Intercom System  |                  |   | Water Only w/Sink    |   |                |           |                    |         |
| Heat           | FHA - Gas                         | Oven - Double           | Bl Stereo        |                  |   | Hot Tub              |   |                |           |                    |         |
| AC             | Yes                               | Dishwasher              |                  |                  |   | Bidet                |   |                |           |                    |         |
| Attic          | Floor & Stairs                    | Microwave               |                  |                  |   | Fbgls Service Sink   |   |                |           |                    |         |
|                |                                   | Trash Compactor         |                  |                  |   | Urinal               |   |                |           |                    |         |
|                |                                   | Jennair                 |                  |                  |   | Sauna                |   |                |           |                    |         |
|                |                                   | Security System         |                  |                  |   | W'Pool Bath w/Shower |   |                |           |                    |         |
|                |                                   |                         |                  |                  |   | Water Only           |   |                |           |                    |         |
|                |                                   |                         |                  |                  |   | No Tub/Shower        |   |                |           |                    |         |



| Bldg / Addn | Description                          | Units  | Year |  |  |  |
|-------------|--------------------------------------|--------|------|--|--|--|
|             | 101 — Single-Family / Owner Occupied |        |      |  |  |  |
|             | 2 Story Frame                        | 1,264  |      |  |  |  |
|             | Base Heat: FHA - Gas                 |        |      |  |  |  |
|             | Add Central Air                      | 1,264  |      |  |  |  |
|             | Add Floor & Stairs attic             |        |      |  |  |  |
| #1          | Porch: 1S Frame Open                 | 200 SF |      |  |  |  |
| #2          | Porch: 1S Frame Open                 | 144 SF |      |  |  |  |
|             | Basement Adjustment                  | 144 SF |      |  |  |  |
|             | Plumbing                             | 2      |      |  |  |  |
|             | Garage: Att Frame                    | 572 SF | 1920 |  |  |  |
| BEx         | NO AC 2 ND FLR                       | 1 LS   |      |  |  |  |
| Adtn        | 2 Story Frame                        | 108 SF | 1914 |  |  |  |

|     | Count | Ag Building Description                                    | Units    | Year |
|-----|-------|--|----------|------|
| P:1 | 1     | QUONSET-MTL @ .90<br>924-Machine or Utility Bldg 36' X 60' | 2,160 SF | 1900 |



Sketch 1 of 1

